

Buy 4

1

apples  $4 \times 6p = \underline{\quad} p$

sandwiches  $4 \times \underline{\quad} p = \underline{\quad} p$






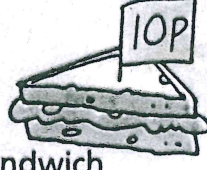
colas  $4 \times \underline{\quad} p = \underline{\quad} p$

peaches  $\underline{\quad} = \underline{\quad}$

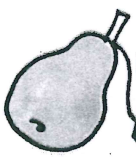



rolls  $\underline{\quad} = \underline{\quad}$

milk drinks  $\underline{\quad} = \underline{\quad}$

### Menu

 cola 9p	 milk 5p
 apple 6p	 peach 7p
 roll 8p	 sandwich 10p

2

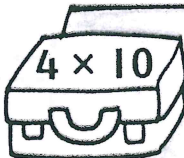

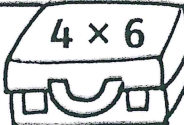

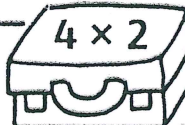


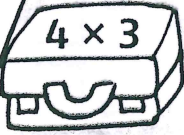

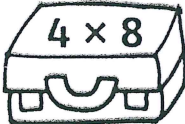

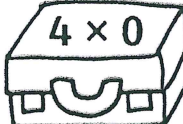
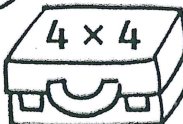

 pear 4p	 cherry 2p	 plum 3p	 orange 1p
--	--	--	--

Choose 2 fruits.                      and                     

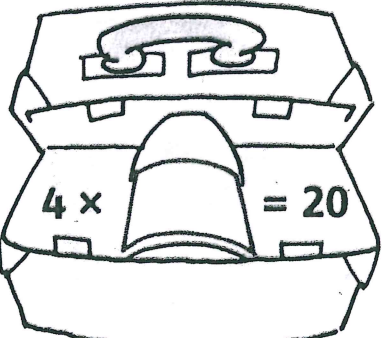
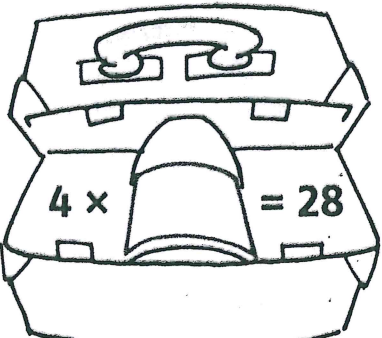
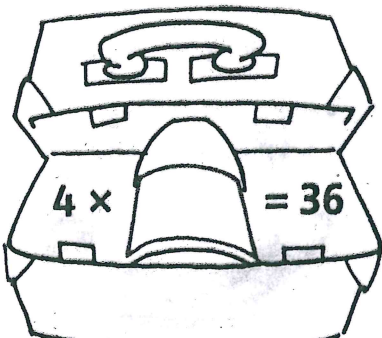
Buy 4 of each.

How much did you spend?     p

3 Colour to match.

4 Complete.

		
--	---	--

H<sub>34</sub>

R<sub>17</sub>