

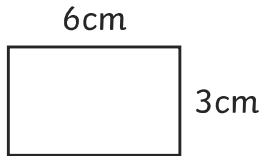
Calculate and Compare the Area of Rectangles

Aim: I can calculate the area of rectangles.

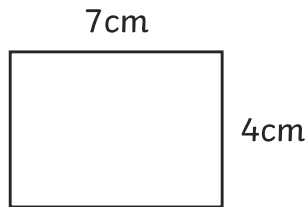
Calculate the area of the following rectangles.

The shapes are not to scale.

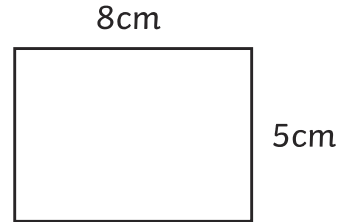
1.



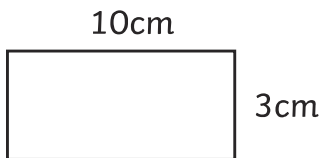
2.



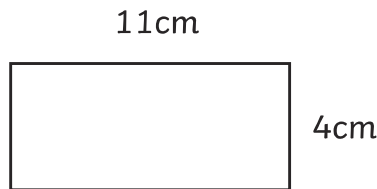
3.



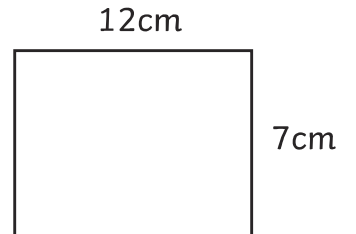
4.



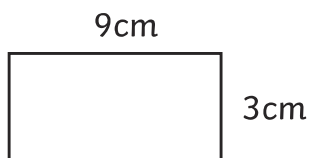
5.



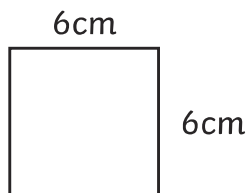
6.



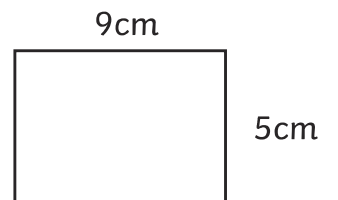
7.



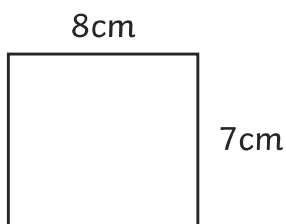
8.



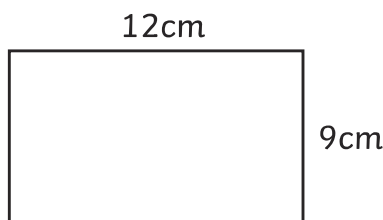
9.



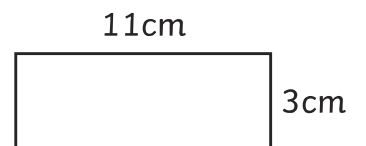
10.

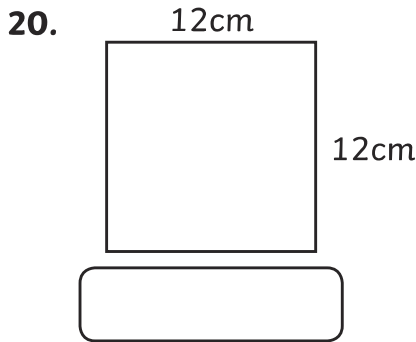
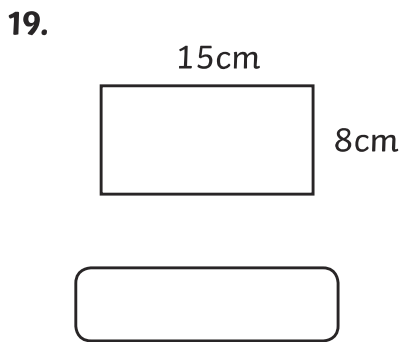
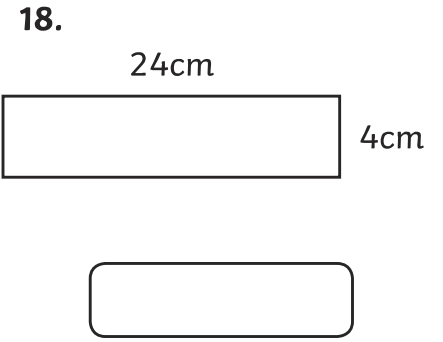
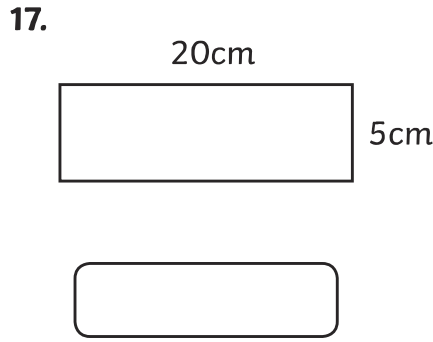
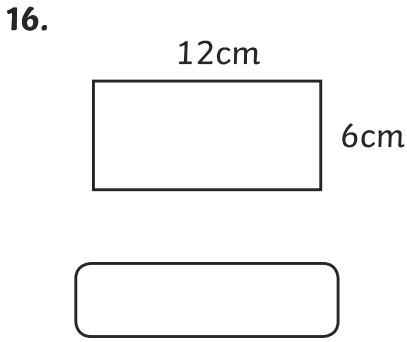
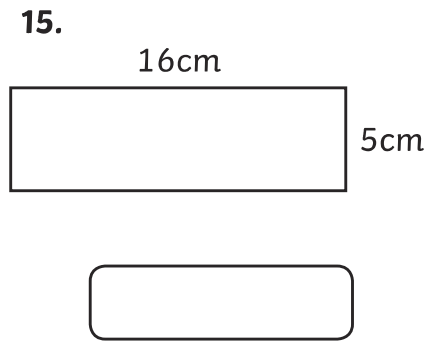
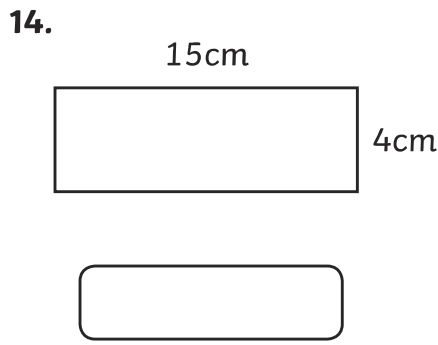
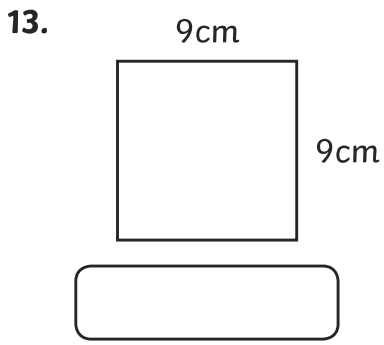


11.

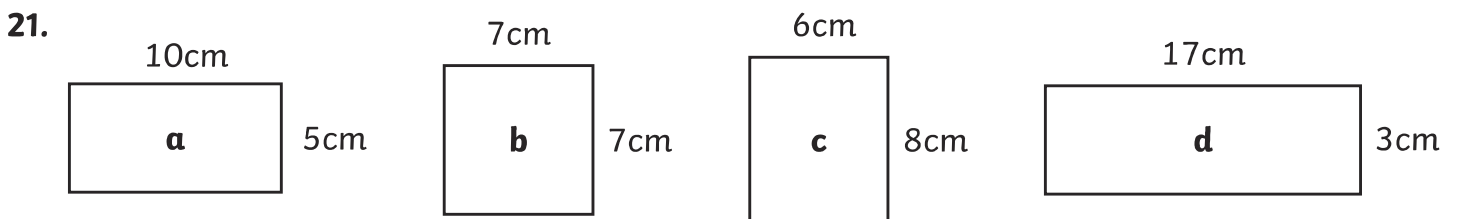


12.





For each set of rectangles, order the rectangles from smallest area to largest area.
The shapes are not to scale.



_____ smallest _____ largest

