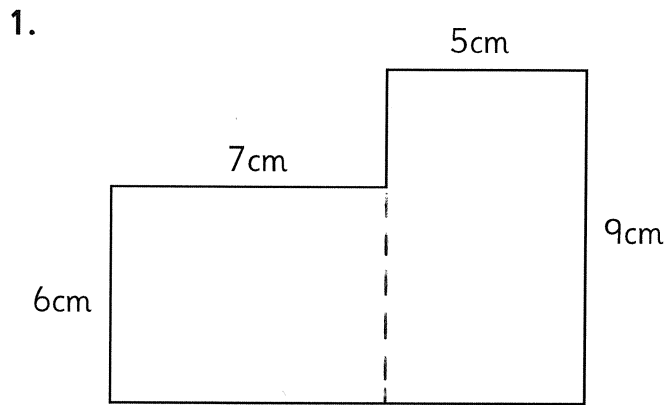
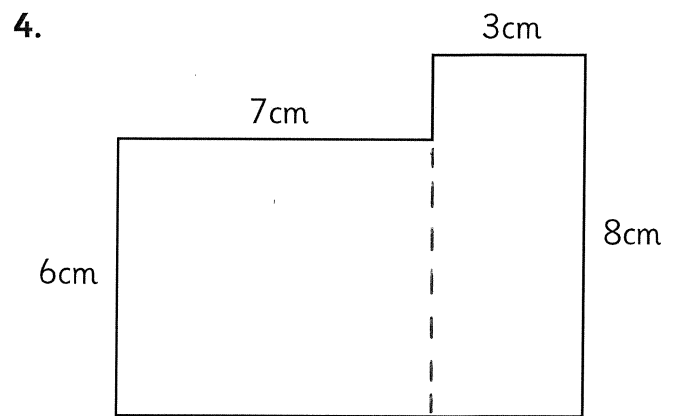


Compound Area

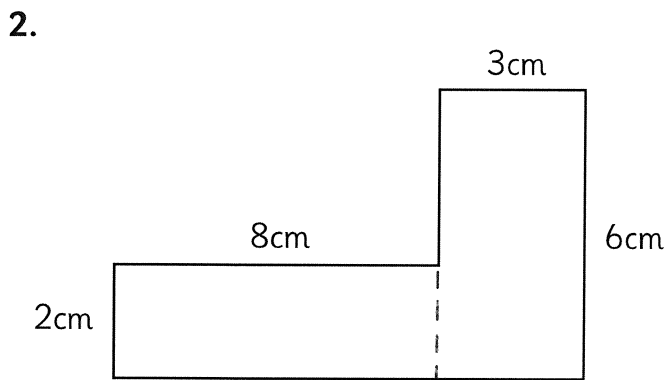
Calculate the area of this compound shape:



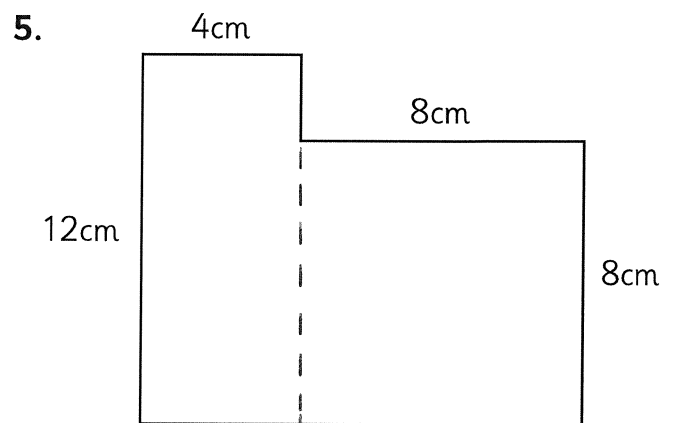
Area =



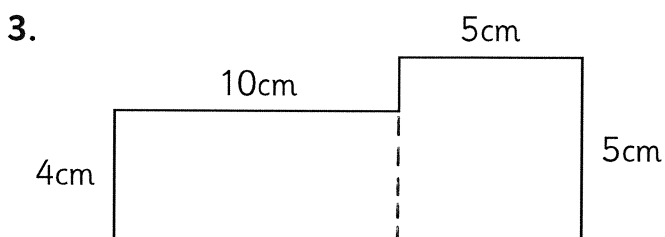
Area =



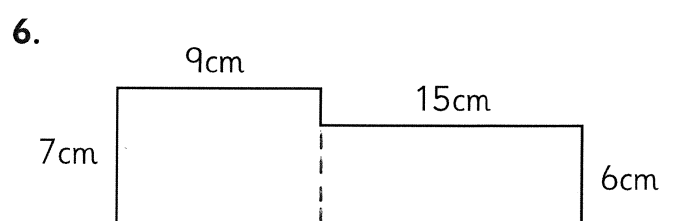
Area =



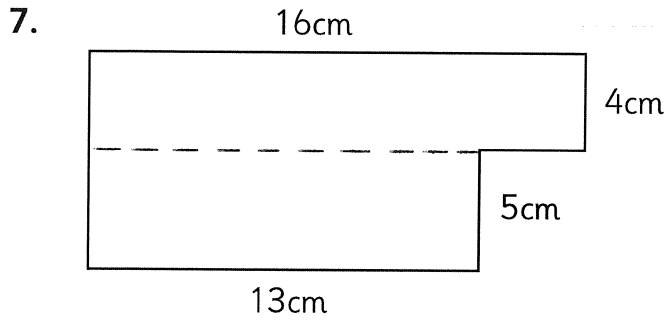
Area =



Area =

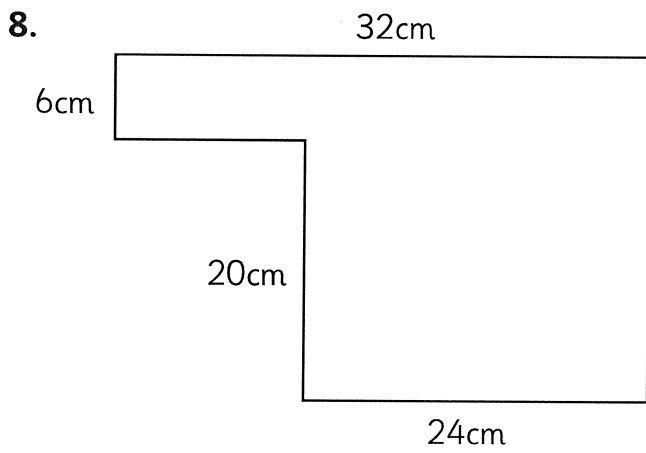


Area =



Area =

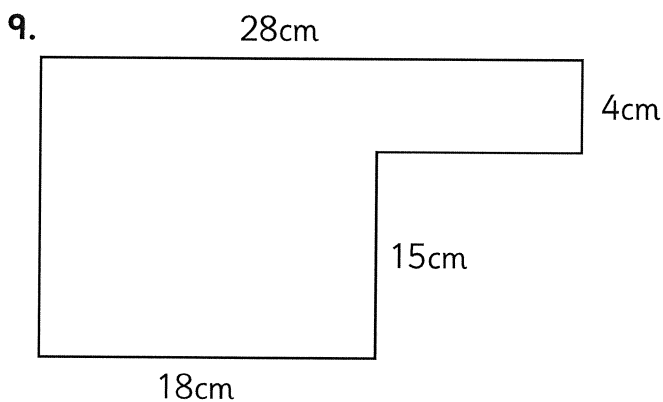
CHALLENGE!



Area =

In questions 8 and 9, you need to decide how you will split the compound shape.

Look carefully at the compound shape and then draw either a vertical or a horizontal line to divide it into two rectangles or squares. Then work out the area of each section before adding them together to find the compound area.



Area =