



Comparing Measurements

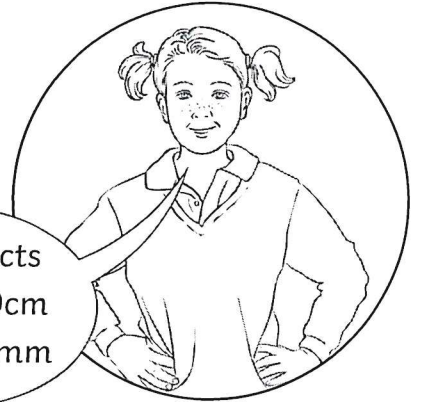
I can compare measurements in m, cm and mm.



- 1) Compare these measurements using $<$, $>$ or $=$.

12cm		15cm
9cm		4cm
1cm		10mm
35mm		4cm
8m		4m
6m		12m
3m		350cm
4m		400cm

Useful Facts
 $1\text{m} = 100\text{cm}$
 $1\text{cm} = 10\text{mm}$



- 2) Order these measurements from shortest to longest.

a) 10cm 25mm 3m

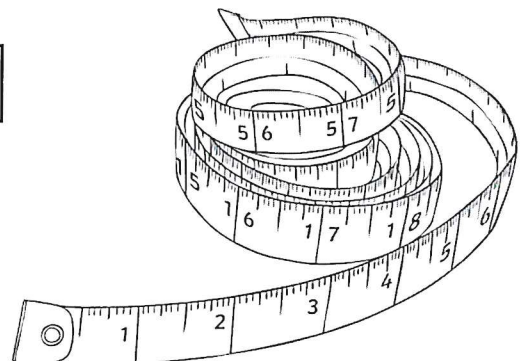
--	--	--

b) 45mm 1m 20cm

--	--	--

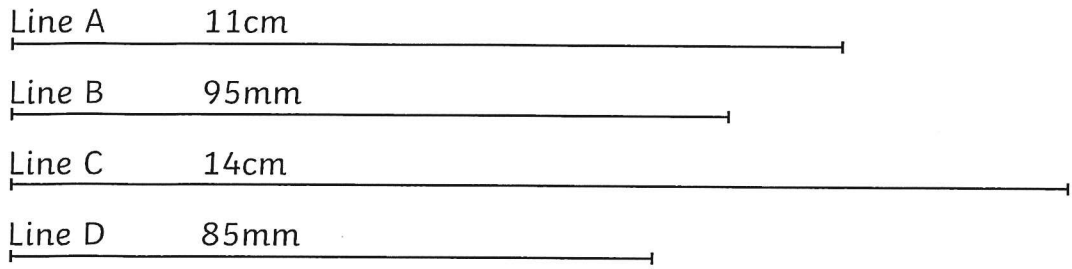
c) 3cm 5m 50mm

--	--	--





3) Here are some lines, along with their measurements.
Some measurements are in cm, some are in mm.



Order the lines from longest to shortest:

longest		shortest	
line	line	line	line

4) Here are the heights of Leo's family:

Leo: 1m 64cm	Lucy (sister): 86cm	Dad: 1m 96cm	Mum: 1m 53cm
--------------	---------------------	--------------	--------------

Order the family from shortest to tallest:

shortest		tallest	



Comparing Measurements Answers

I can compare measurements in m, cm and mm.



- 1) Compare these measurements using $<$, $>$ or $=$.

12cm	$<$	15cm
9cm	$>$	4cm
1cm	$=$	10mm
35mm	$<$	4cm
8m	$>$	4m
6m	$<$	12m
3m	$<$	350cm
4m	$=$	400cm

- 2) Order these measurements from shortest to longest.

- a) 10cm 25mm 3m

25mm	10cm	3m
-------------	-------------	-----------

- b) 45mm 1m 20cm

45mm	20cm	1m
-------------	-------------	-----------

- c) 3cm 5m 50mm

3cm	50mm	5m
------------	-------------	-----------



- 3) Here are some lines, along with their measurements.
Some measurements are in cm, some are in mm.

Order the lines from longest to shortest:

longest		shortest	
line C	line A	line B	line D

- 4) Here are the heights of Leo's family:

Order the family from shortest to tallest:

shortest		tallest	
Lucy	Mum	Leo	Dad