

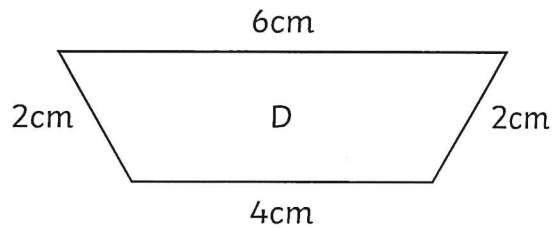
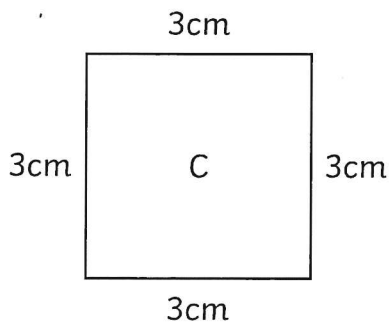
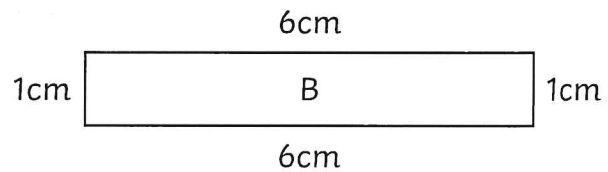
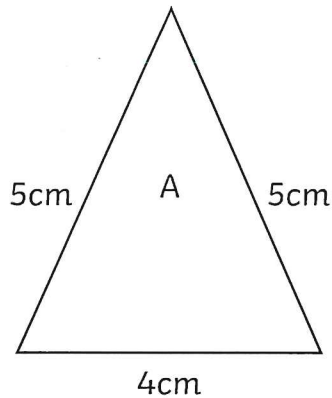


Solving Perimeter Problems

I can solve problems involving perimeter.



- 1) Calculate the perimeter of these shapes.
Which is the odd one out, and why?



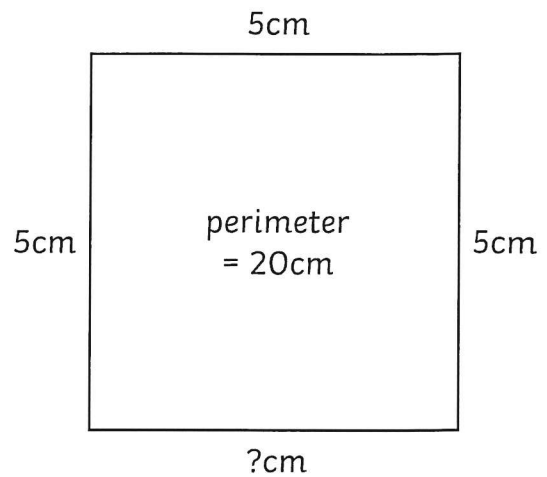
Odd shape out: _____

Reason: _____

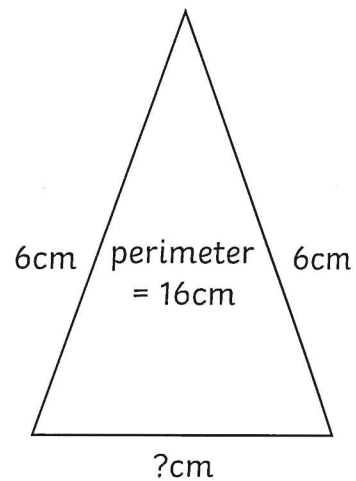


2) Calculate the length of the missing side.

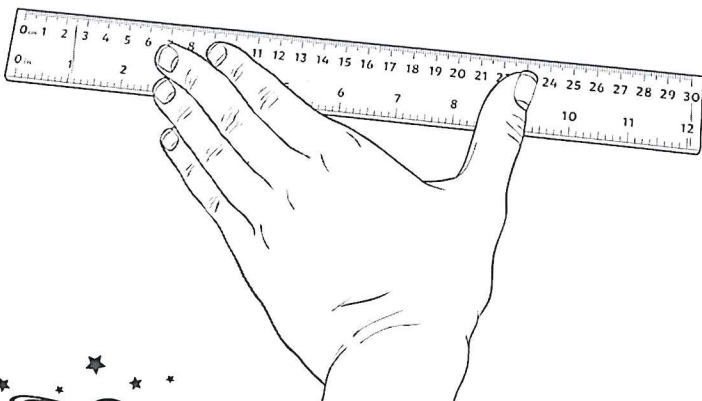
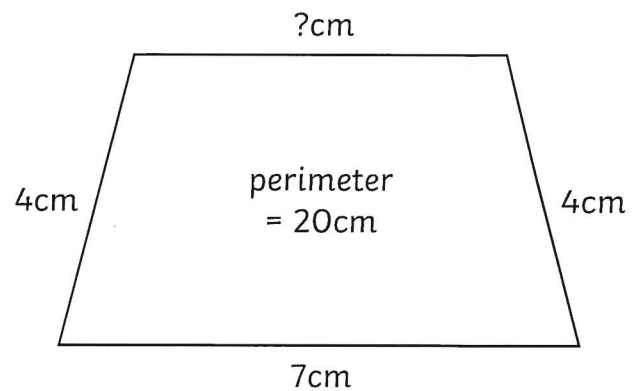
- a) Hint:
 $5\text{cm} + 5\text{cm} + 5\text{cm} + \underline{\hspace{2cm}} = 20\text{cm}$
 $15\text{cm} + \underline{\hspace{2cm}} = 20\text{cm}$
Missing side = $\underline{\hspace{2cm}}$ cm



- b) Hint:
 $6\text{cm} + 6\text{cm} + \underline{\hspace{2cm}} = 16\text{cm}$
 $12\text{cm} + \underline{\hspace{2cm}} = 16\text{cm}$
Missing side = $\underline{\hspace{2cm}}$ cm



- c) Hint:
 $7\text{cm} + 4\text{cm} + 4\text{cm} + \underline{\hspace{2cm}} = 20\text{cm}$
 $15\text{cm} + \underline{\hspace{2cm}} = 20\text{cm}$
Missing side = $\underline{\hspace{2cm}}$ cm



- ★ 3) Draw two different rectangles, with a perimeter of 16cm:

