

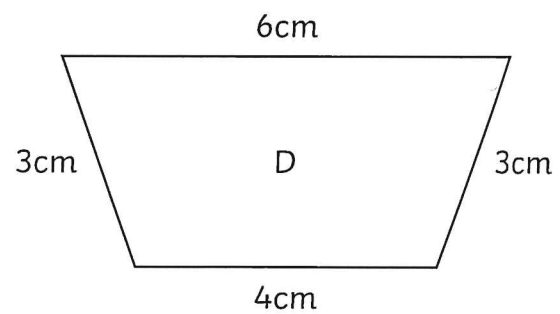
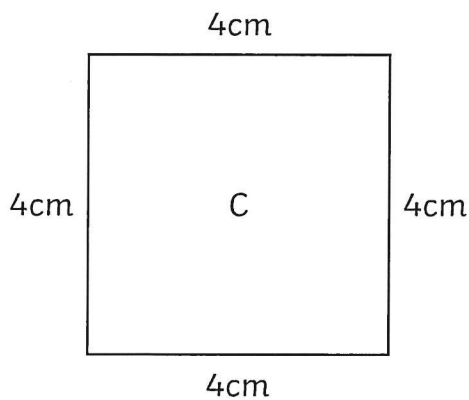
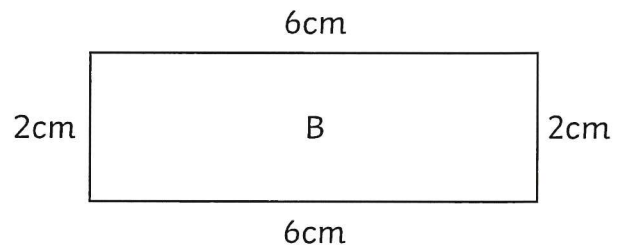
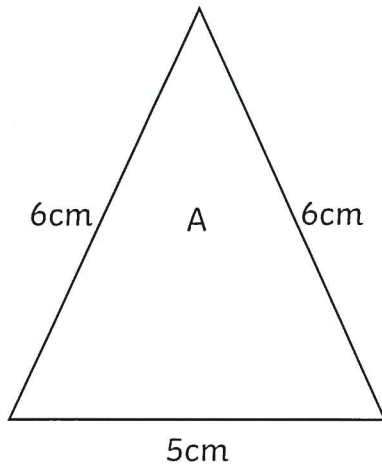


Solving Perimeter Problems

I can solve problems involving perimeter.



- 1) Calculate the perimeter of these shapes.
Which is the odd one out, and why?



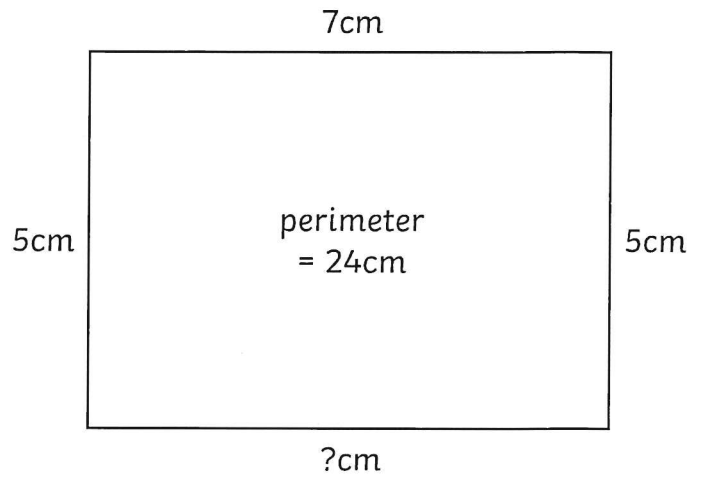
Odd shape out: _____

Reason: _____

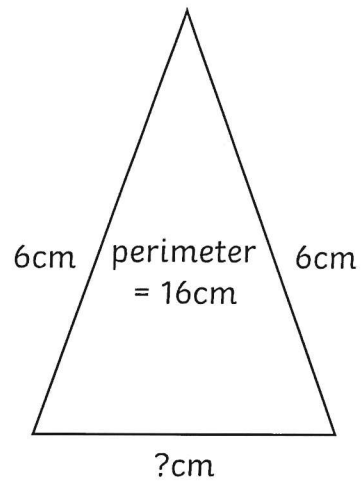


2) Calculate the length of the missing side.

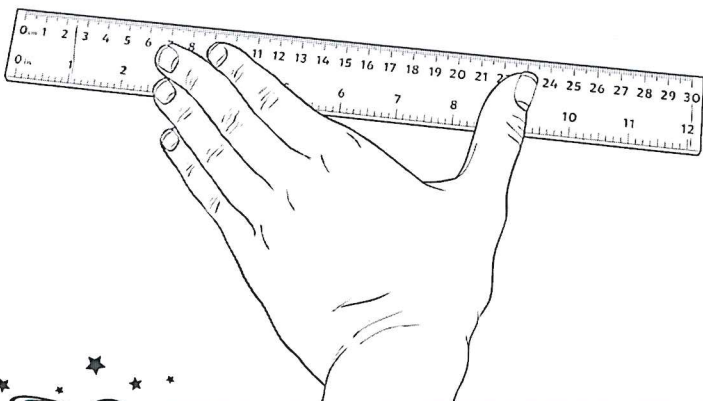
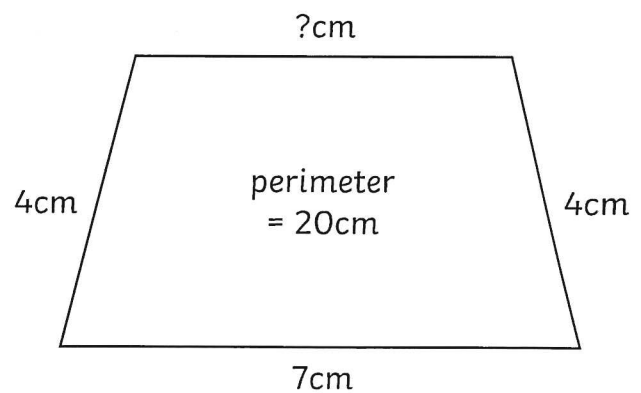
a) Missing side = _____ cm



b) Missing side = _____ cm



c) Missing side = _____ cm





3) Draw different rectangles, with a perimeter of 24cm:

